



TRACK ALPHA



| TRACK ALPHA



TRACK ALPHA

The future of technical lighting

The TRACK series has been given a new design to offer an increasingly high-performance lighting solution for machine tools and extreme industrial working conditions. TRACK ALPHA has thus been born, a series of 7 innovative, versatile lamps made with select, high-quality materials that have been tested according to a controlled production process right through to packaging, in order to guarantee a safe, reliable product.

- LED lighting suitable for use inside medium and large industrial machines
- Anodised aluminium structure with painted side caps for a light, anti-corrosion and vibration-resistant structure
- IP67 degree of protection and Viton O-rings that fully protect the lamp against dust, and many oils and coolants
- 5mm thick tempered glass to guarantee protection against processing shavings and residues
- LED power with 60,000 hours of average life, which eliminates maintenance costs and guarantees an energy saving of 50%
- 5000K monochrome light to recreate an environment with natural, effective lighting
- 120° diffused beam for uniform lighting free from photobiological hazards in accordance with EN 62471:2009
- Direct 24Vdc or 230V connection for easy replacements of any outdated or obsolete equipment
- M12 connector for fast, safe connection
- 7 versions available with different lengths for universal use to meet any needs.



01_Connection with an M12 connector
02_Aluminium side caps with stainless steel screws

Designed to resist.

STRUCTURE

Design and performance are combined to create an ultra-resistant structure perfect for use under tough conditions.

The TRACK ALPHA series with IP67 protection is tested to withstand collisions, vibrations and shavings from mechanical processing, while guaranteeing full dust protection. The aluminium side caps and Viton® O-rings guarantee protection against water and many lubricants and coolants.

Thanks to its superior quality materials, TRACK ALPHA is also resistant to high temperatures. The 5mm thick cover glass and satin prismatic filter provide uniform lighting at any length, while preventing any glare effect.

The lamp comes with a M12 connector for fast, safe connection.

BRIGHTNESS

TRACK ALPHA is fitted with an LED Power source that provides a high-performance luminous flux with a 120° beam angle for diffused, uniform lighting inside the structure.

In line with international low voltage standards, the I.D.S. (Integrated Driver System) enables a direct 24Vdc connection without the need for any extra components.

The circuits are designed to optimise light diffusion, finding a balance between power and durability, with an average life of 60,000 h.

The technology used guarantees an energy saving of 50% compared with traditional fluorescent lighting and, unlike neon tubes, provides a constant brightness over time, while maintaining the same efficiency for the entire life of the lamp.

Versatile, flexible,
universal.

RETROFITTING

The secret of this lamp lies in its complete flexibility. 7 versions available in 6 different lengths make TRACK ALPHA suitable for endless applications. We have designed this series so that it can be directly connected to 24Vdc or 230V with no external components. Furthermore, with its dimensions and power, it can quickly and easily replace traditional fluorescent tubes, optimising any retrofitting operations. TRACK ALPHA has not been developed as an accessory but rather a full addition to its machine.

FASTENINGS

The aluminium fastenings have been created for a dual installation option. Crescent ALPHA.CLIP are provided for rear anchoring and can be adjusted up to 30° or, by using an additional ALPHA.ADP adaptor, you can fasten the lamp laterally to increase its rotation angle up to 100°, while maintaining the full stability of the appliance. These fastenings can be adapted to previous holes, which makes it easier to replace any existing devices.

01_Rear fastening with 30° adjustment
02_Side fastening with up to 100° adjustment

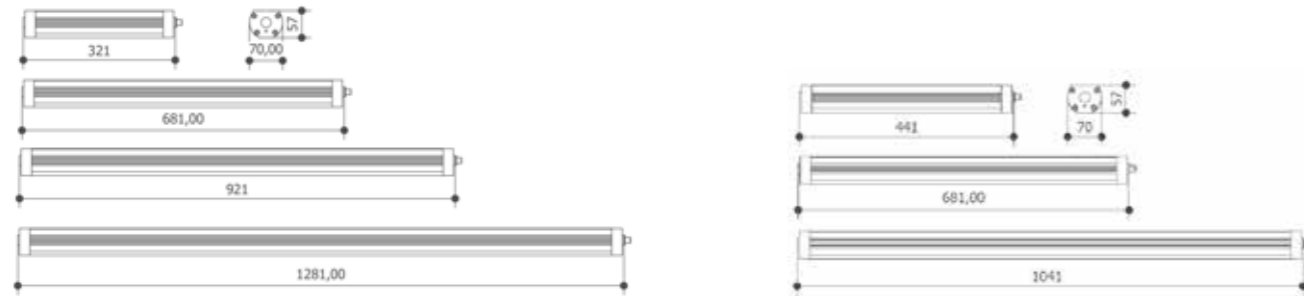


TRACK ALPHA

Technical datasheet



- Direct 24Vdc and 230V connection with no additional components
- Resistant to many lubricants and coolants
- 7 versions available
- M12 connector
- 3 fastenings available



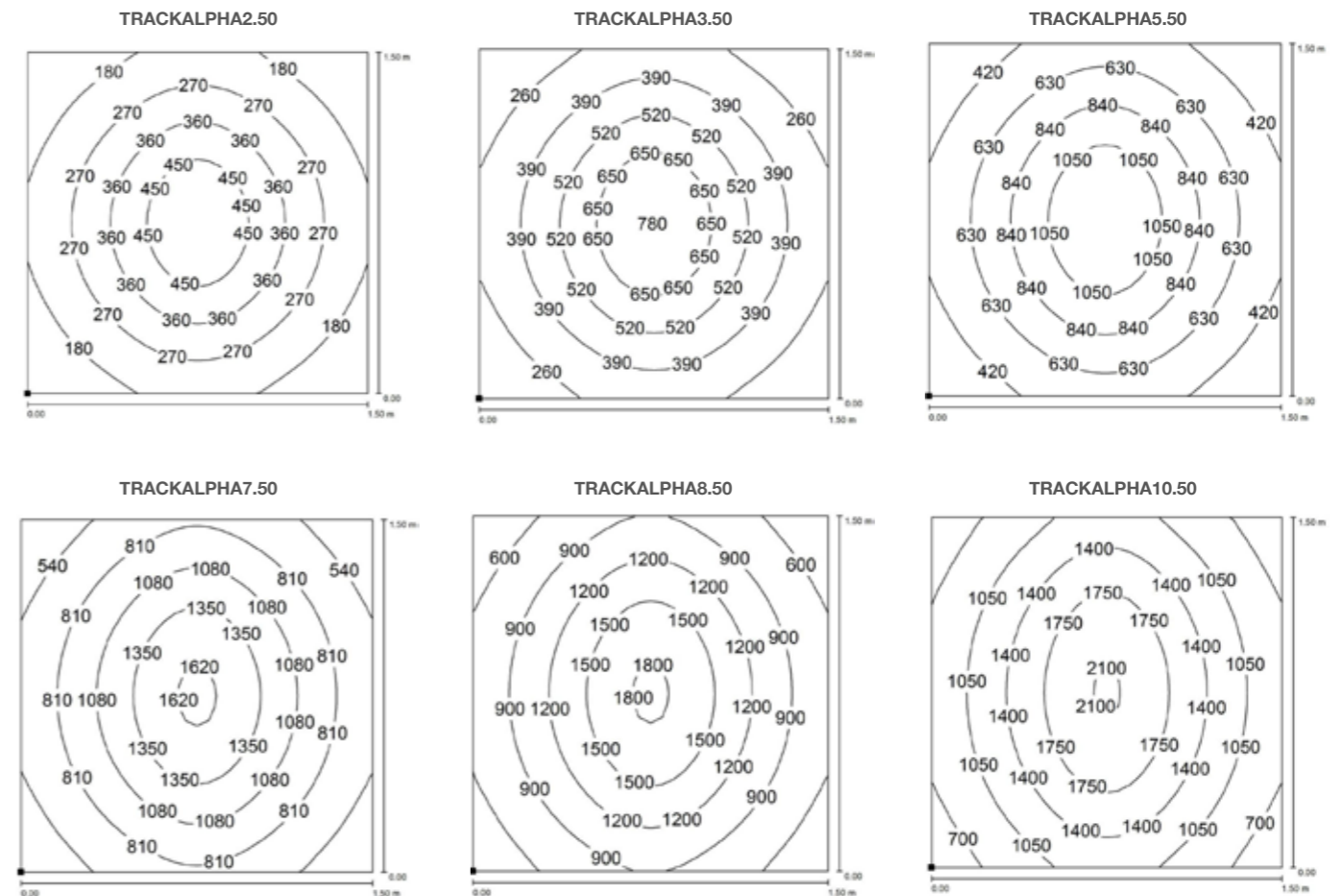
TECHNICAL FEATURES (24Vdc version)

	TRACKALPHA2.50	TRACKALPHA5.50	TRACKALPHA7.50	TRACKALPHA10.50
Power supply	24Vdc	24Vdc	24Vdc	24Vdc
Power	13W	34W	47W	68W
Current	0,6 A	1,5 A	2,1 A	3,0 A
Degree of protection	IP67	IP67	IP67	IP67
LED type	mini Power LED	mini Power LED	mini Power LED	mini Power LED
LED lifespan	50.000 hours	50.000 hours	50.000 hours	50.000 hours
Lumen LED	1400 lum - 120°	3500 lum - 120°	4900 lum - 120°	7000 lum - 120°
Light color	5000K -CRI75	5000K -CRI75	5000K -CRI75	5000K -CRI75
Structure	anodized aluminium	anodized aluminium	anodized aluminium	anodized aluminium
Glass	tempered 5mm	tempered 5mm	tempered 5mm	tempered 5mm
Diffuser	satin in PMMA	satin in PMMA	satin in PMMA	satin in PMMA
Connection	M12 connector	M12 connector	M12 connector	M12 connector

TECHNICAL FEATURES (230V version)

	TRACKALPHA3.50.230	TRACKALPHA5.50.230	TRACKALPHA8.50.230
Power supply	230V	230V	230V
Power	19,5W	34W	53,5W
Current	0,9 A	1,5 A	2,4 A
Degree of protection	IP67	IP67	IP67
LED type	mini Power LED	mini Power LED	mini Power LED
LED lifespan	50.000 hours	50.000 hours	50.000 hours
Lumen LED	2100 lum - 120°	3500 lum - 120°	5600 lum - 120°
Light color	5000K -CRI75	5000K -CRI75	5000K -CRI75
Structure	anodized aluminium	anodized aluminium	anodized aluminium
Glass	tempered 5mm	tempered 5mm	tempered 5mm
Diffuser	satin in PMMA	satin in PMMA	satin in PMMA
Connection	M12 connector	M12 connector	M12 connector

LUMINANCE DIAGRAMS



ORDER CODES

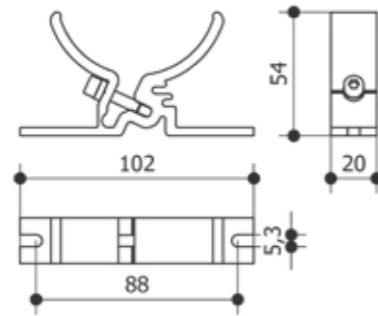
TRACKALPHA2.50	13W - 24Vdc	TRACKALPHA5.50.230	34W - 230V	TRACKALPHA10.50	68W - 24Vdc
TRACKALPHA3.50.230	19,5W - 230V	TRACKALPHA7.50	47W - 24Vdc		
TRACKALPHA5.50	34W - 24Vdc	TRACKALPHA8.50.230	53,5W - 230V		

FASTENINGS



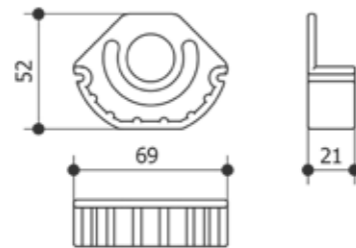
Mounting bracket for rear fastening

Cod.ALPHA.CLIP



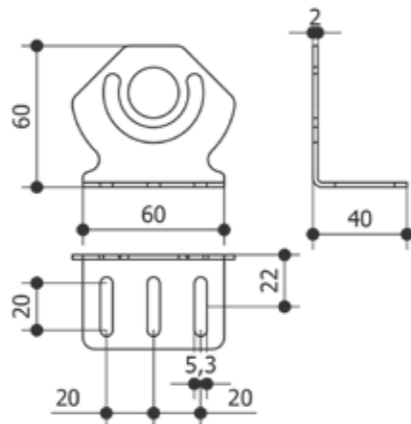
Adapter for side fastening

Cod.ALPHA.ADP



Mounting bracket for side fastening

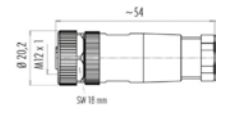
Cod.ALPHA.FX01



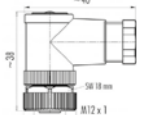
M12-A 4 PIN CONNECTOR FEMALE IP67



Code	Current	Conductors	Fastenings	Ø Cable
N11810001040302	4 Ampere	Max 0,75mmq	Screws	6-8mm



Code	Current	Conductors	Fastenings	Ø Cable
N11910001040302	4 Ampere	Max 0,75mmq	Screws	6-8mm



M12-A 4 PIN CONNECTOR FEMALE IP67 WITH CABLE

Cables for 230V lamps



Code	Connector	Cable	Length
M12V.F.3C1,5	N11810001040302	3x0,75mmq - Ø est 7 mm	1,5 m
M12V.F.3C3	N11810001040302	3x0,75mmq - Ø est 7 mm	3 m
M12V.F.3C5	N11810001040302	3x0,75mmq - Ø est 7 mm	5 m
M12V.F.3C10	N11810001040302	3x0,75mmq - Ø est 7 mm	10 m



Code	Connector	Cable	Length
M12V.FL.3C1,5	N11910001040302	3x0,75mmq - Ø est 7 mm	1,5 m
M12V.FL.3C3	N11910001040302	3x0,75mmq - Ø est 7 mm	3 m
M12V.FL.3C5	N11910001040302	3x0,75mmq - Ø est 7 mm	5 m
M12V.FL.3C10	N11910001040302	3x0,75mmq - Ø est 7 mm	10 m



C.C.E.A. srl

Via Piave, 2
36077 - Altavilla Vicentina (VI) - Italy

Tel. +39 0444 572083
Fax +39 0444 572337

ccea@ccealights.com
www.ccealights.com